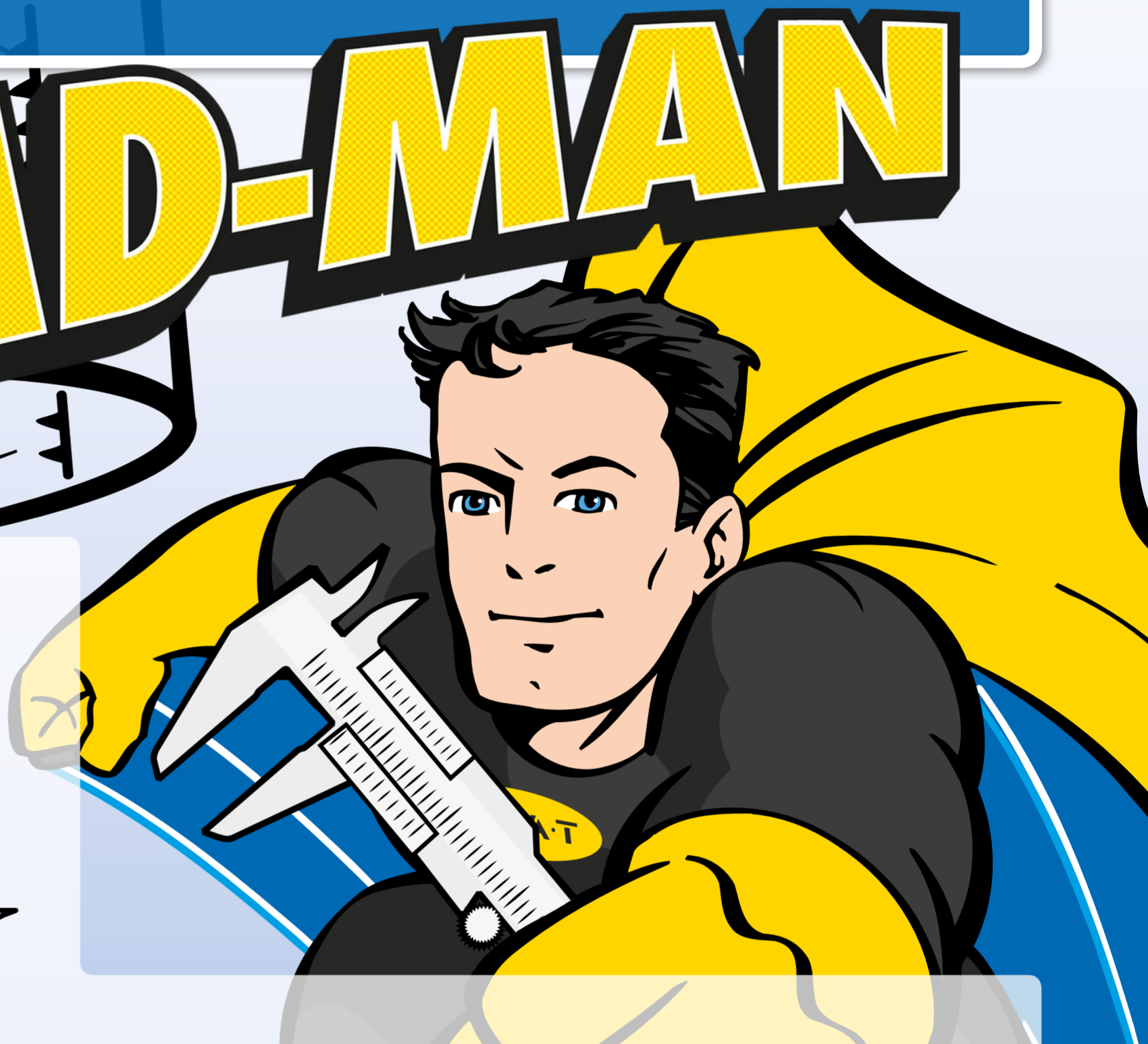


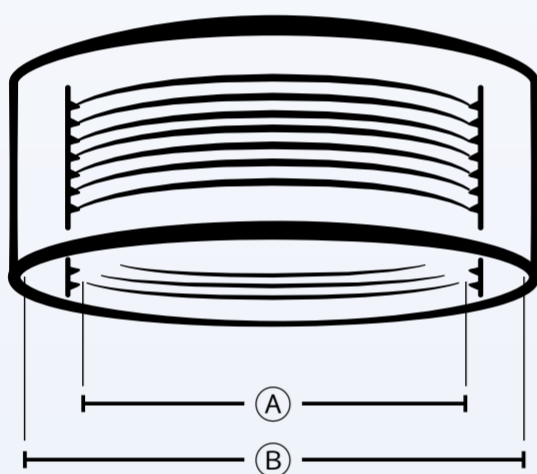


# Define Thread Size?

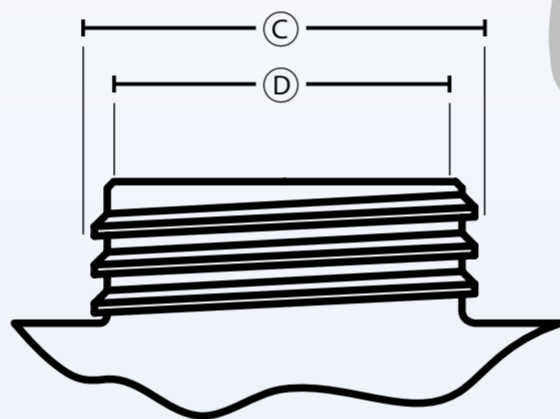
# THREAD-MAN



Screw Cap



Container from Plastic or Glass



Ø A mm	Ø B mm	Ø C mm	Ø D mm	Thread	Characteristic (Brands, Trademarks)	Notes
26.00	27.50	28.00	19.60	<b>GL 28</b>	Chromsystems®, Recipe®, 500 ml Buffer by Sigma®	
29.50	31.50	31.50	16.80	<b>GL 32 (Glass)</b>	For containers of the brand Duran®	
29.60	32.60	32.20	18.20	<b>GL 32 (Plastic)</b>	-	
35.50	37.00	37.50	25.70	<b>GL 38 (Glass)</b>	For containers of the brands Wheaton® and Nalgene®	
-	-	-	30.60	<b>GL 38 short (foldable canister)</b>	4 l BDH bottle, Fulltime® Reagents	
34.00	38.20	37.80	22.20	<b>GL 38 (Plastic)</b>	2.5 l canister by Recipe®, HPLC-P Water, 1 l Biosolve®, Fresenius Kabi® 10 l	
35.30	37.60	37.10	27.40	<b>38-430 (Glass)</b>	Wheaton®, Nalgene® square-cut 500 ml plastic bottle	
38.00	40.00	40.00	26.2 / 27	<b>GL 40 / S 40 (Glass)</b>	For containers of the brand Merck®	
-	-	40.60	29.30	<b>GL 40 / S 40 (Plastic)</b>	For containers of the brands Merck® and Metrohm®	
39.00	41.00	41.60	32.60	<b>S 41 / S 42 (Plastic)</b>	Number DIN42 is often in the cover, Agro Paris Tech 51, Polimoon™	
39.00	41.60	42.00	32.10	<b>S 41 / S 42 (Glass)</b>	-	
41.50	45.00	44.50	29.50	<b>GL 45 (Glass)</b>	Established thread of laboratory bottles	
41.50	42.50	44.50	34.70	<b>GL 45 (Plastic)</b>	-	
45.50	51.50	50.00	40.60	<b>S 50</b>	Space-saving canister	
45.50	50.00	48.00	40.70	<b>S 51</b>	Nearly identical to S 50, only the outer diameter of the container thread (OD = C) is significantly different. The number DIN50 is often in the cover.	
50.50	54.50	53.50	39.20	<b>B 53</b>	For containers of the brands Nalgene® and Polimoon™	
50.50	55.00	53.50	43.30	<b>S 55</b>	The number 51 / DIN51 / HP51 is often in the cover	
55.50	61.00	59.00	48.20	<b>S 60 / S 61</b>	The number 61 is often in the cover, Mauser® 13, RPC Containers® C59PP	
58.50	63.00	62.00	37.10	<b>B 63</b>	For containers of the brand Nalgene®	
62.00	65.50	64.50	50.20	<b>S 65</b>	For containers of the brand Kautex® (round canister)	
66.00	71.50	70.00	59.40	<b>S 70 / S 71</b>	The number 71 is often in the cover, Rieke® 70 mm	
65.80	70.00	69.80	58.40	<b>S 70 / S 71 (Flat canister)</b>	-	
78.00	83.00	80.00	64.00	<b>GLS 80</b>	Established wide neck opening bottle	
83.00	90.00	88.00	65.30	<b>B 83</b>	For containers of the brands Kautex® and Carboy 80 mm	
85.00	90.50	88.00	78.50	<b>S 90</b>	The number D90 is often in the cover	
90.00	96.50	94.00	82.90	<b>S 95</b>	-	

Note:  
All specified values are for orientation and may vary from manufacturers specifications by 0.5 mm (due to production tolerances).

Brand names and registered trademarks are the property of their respective owners. The naming of brand names and protected trademarks is merely descriptive.

# WWW.SCAT-EUROPE.COM

S.C.A.T. Europe GmbH · Waldecker Straße 7 · D-64546 Mörfelden · e-Mail: info@scat-europe.com  
Telephone: +49 - (0) 6105 - 30 55 86 - 0 · Fax: +49 - (0) 6105 - 30 55 86 - 99

